

REVISIONS				
REV	ZONE	DESCRIPTION	DATE	BY/APPV

GENERAL NOTES

- HULL ANODES ARE TO BE 23# OR 24# ZINC ANODES, ZHS-23 OR EQUAL. APPROXIMATE DIMENSIONS ARE 6"x12"x1-1/4". (QTY REQ'D = 109)
- RUDDER ANODES ARE TO BE 6# TEARDROP SHAPED ZINC ANODES. APPROXIMATE DIMENSIONS ARE 3"x9"x1-1/4". (QTY REQ'D = 12)
- THE SECOND DOCKING CAR FROM THE BOW (@ FR 17 1/2) SHALL BE OMITTED OR THE BLOCKING ON IT SHALL BE REMOVED PRIOR TO DOCKING TO PREVENT INTERFERENCE WITH THE BOWTHRUSTER SEACHEST.

REFERENCE	
DWG NO.	TITLE
110-01	SCANTLING PLAN BOW-FR 35
110-02	SCANTLING PLAN FR 36-FR 72
110-03	SCANTLING PLAN FR 73-STERN
114-01	SKEG DETAILS
114-02	STRUT DETAILS
116-01	CONSTRUCTION PROFILE & LONG'L BHDs, BOW-FR 35
116-02	CONSTRUCTION PROFILE, FR 35-FR 72
116-03	CONSTRUCTION PROFILE & LONG'L BHDs, FR 73-STERN
117-01	FRAMES, BOW-FR 35
117-02	FRAMES, FR 35-FR 72
117-03	FRAMES, FR 73-STERN
163-01	SEA CHEST
182-01	MAIN ENGINE FOUNDATION
243-01	SHAFT ARRANGEMENT
256-02	COOLER PIPING SYSTEM ARRANGEMENT & DETAILS
562-01	RUDDER ARRANGEMENT
568-01	BOW THRUSTER INSTALLATION
839-01	LINES PLAN

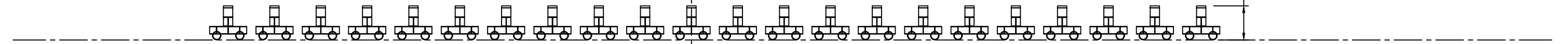
ORANGE
Shipbuilding Co., Inc.
A CONRAD INDUSTRIES CO.
710 MARKET STREET-ORANGE, TEXAS 77630
PHONE 409-883-6666 FAX 409-882-0609

GUARINO & COX, LLC
19399 HELENBURG RD, SUITE 203
COVINGTON LA. 70433

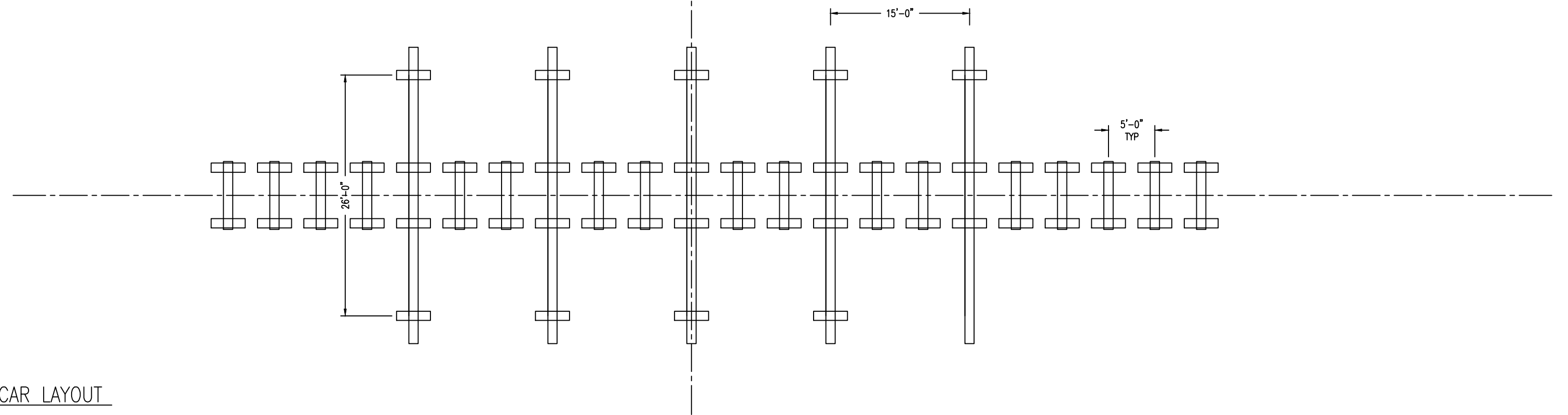
ORANGE SHIPBUILDING CO. INC.
NORTH CAROLINA DOT FERRY DIVISION
NEW SOUND CLASS FERRY

DOCKING & ANODE PLAN

DRAWN BY: BMB	DATE: 12/9/10	DWG NO. 997-01
CK'D BY: KHK	HULL No. 413	SHT 1 OF 2
SCALE: 1/8"=1'-0"	G&C Job No. 09-060	REV. 0



ELEVATION



CAR LAYOUT

16

15

14

13

12

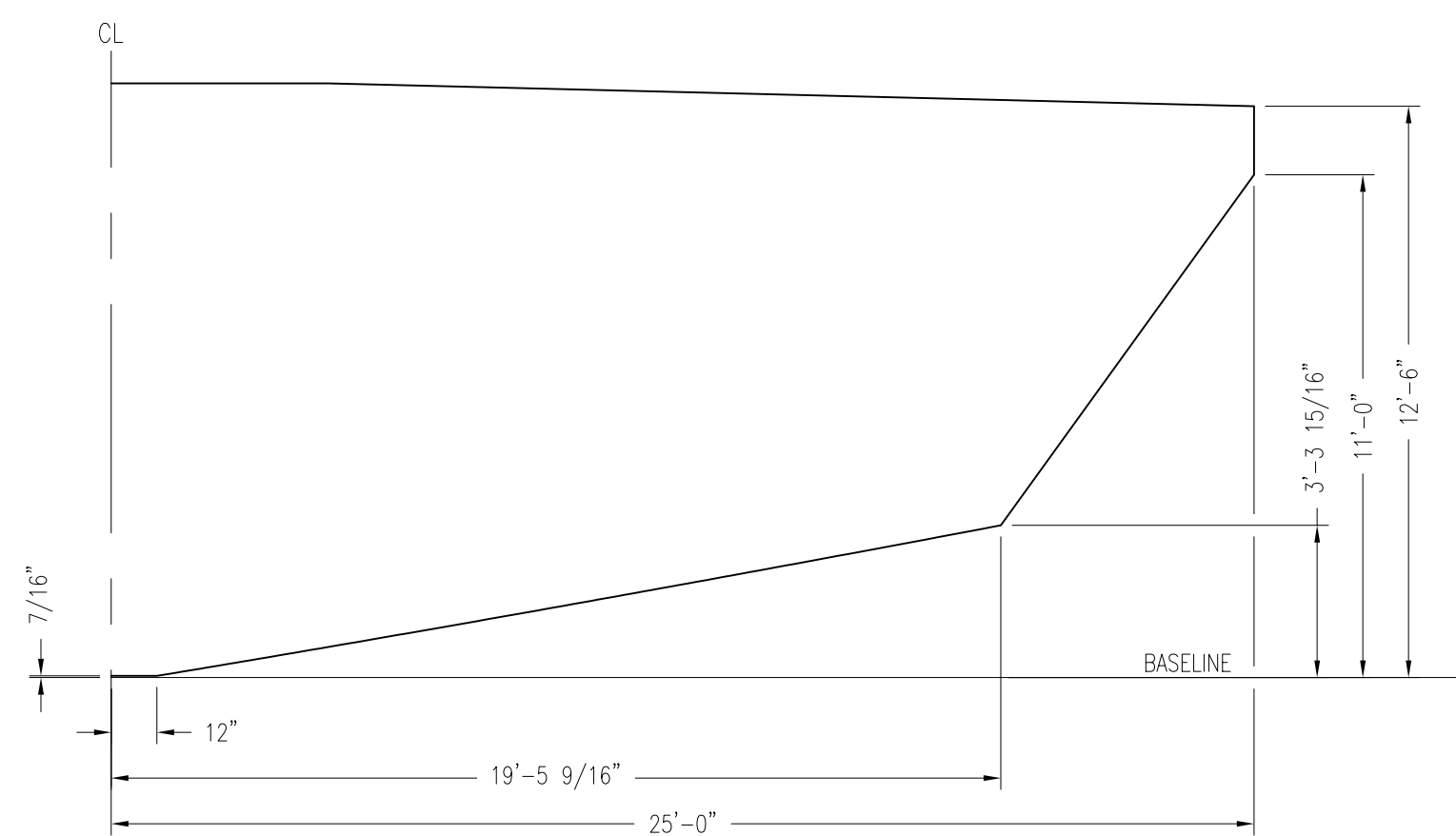
11

10

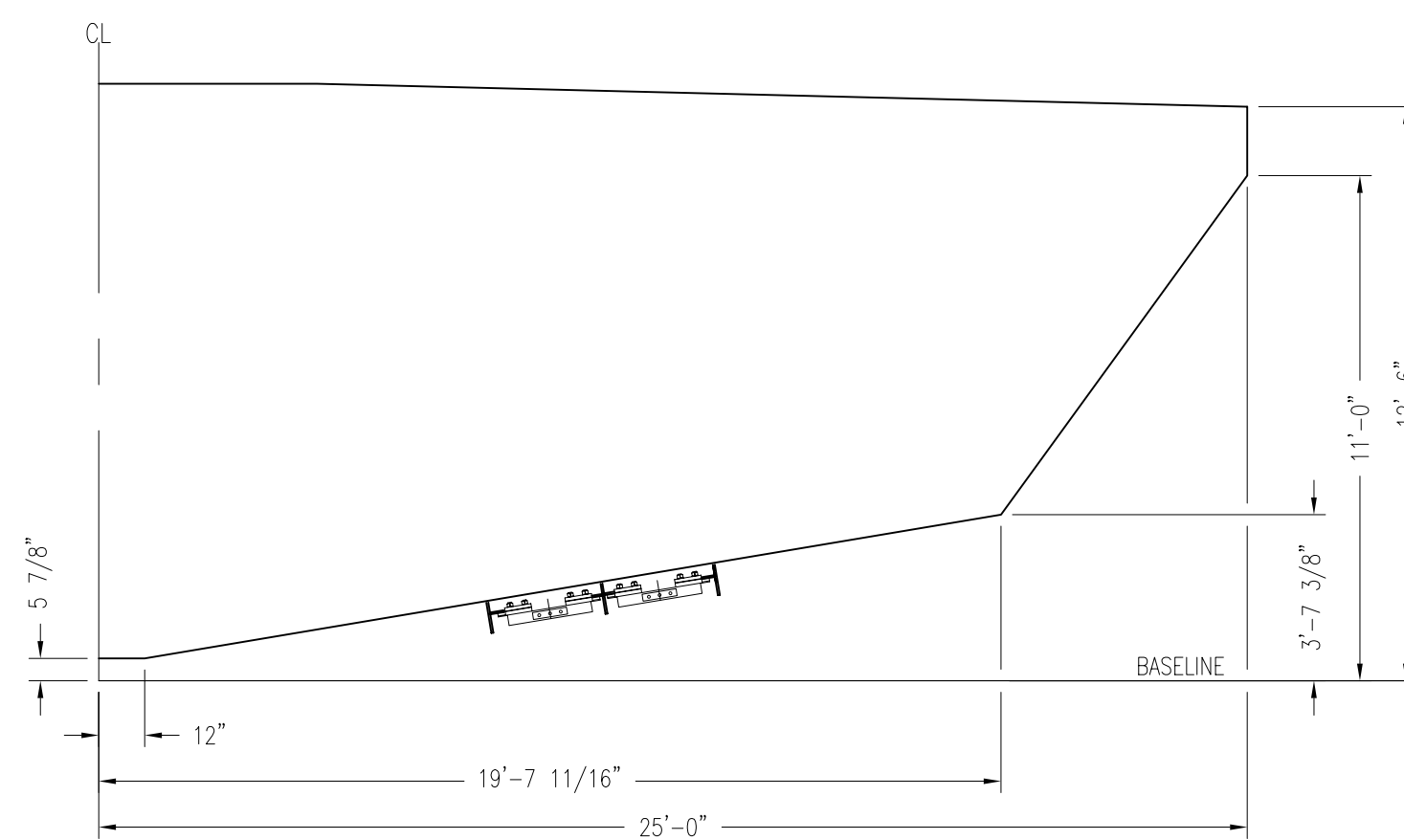
9

D

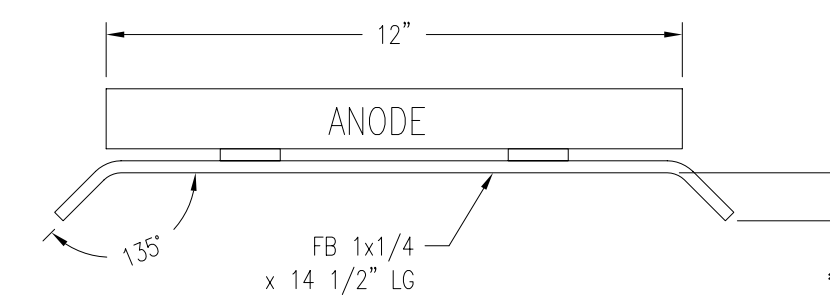
D



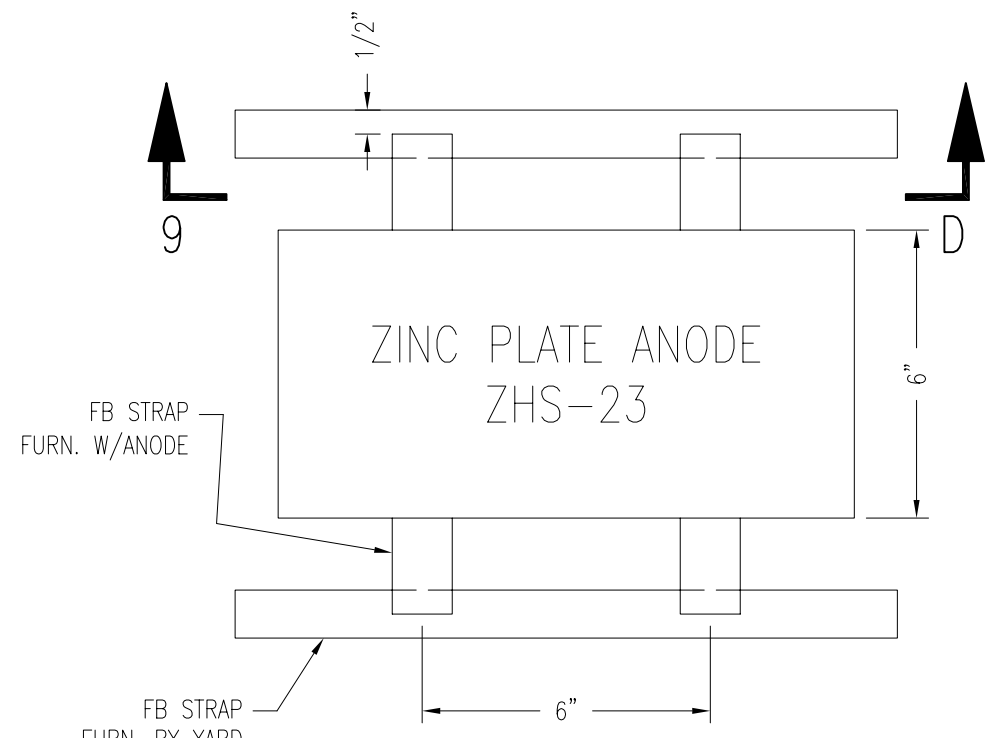
FR 46



FR 68



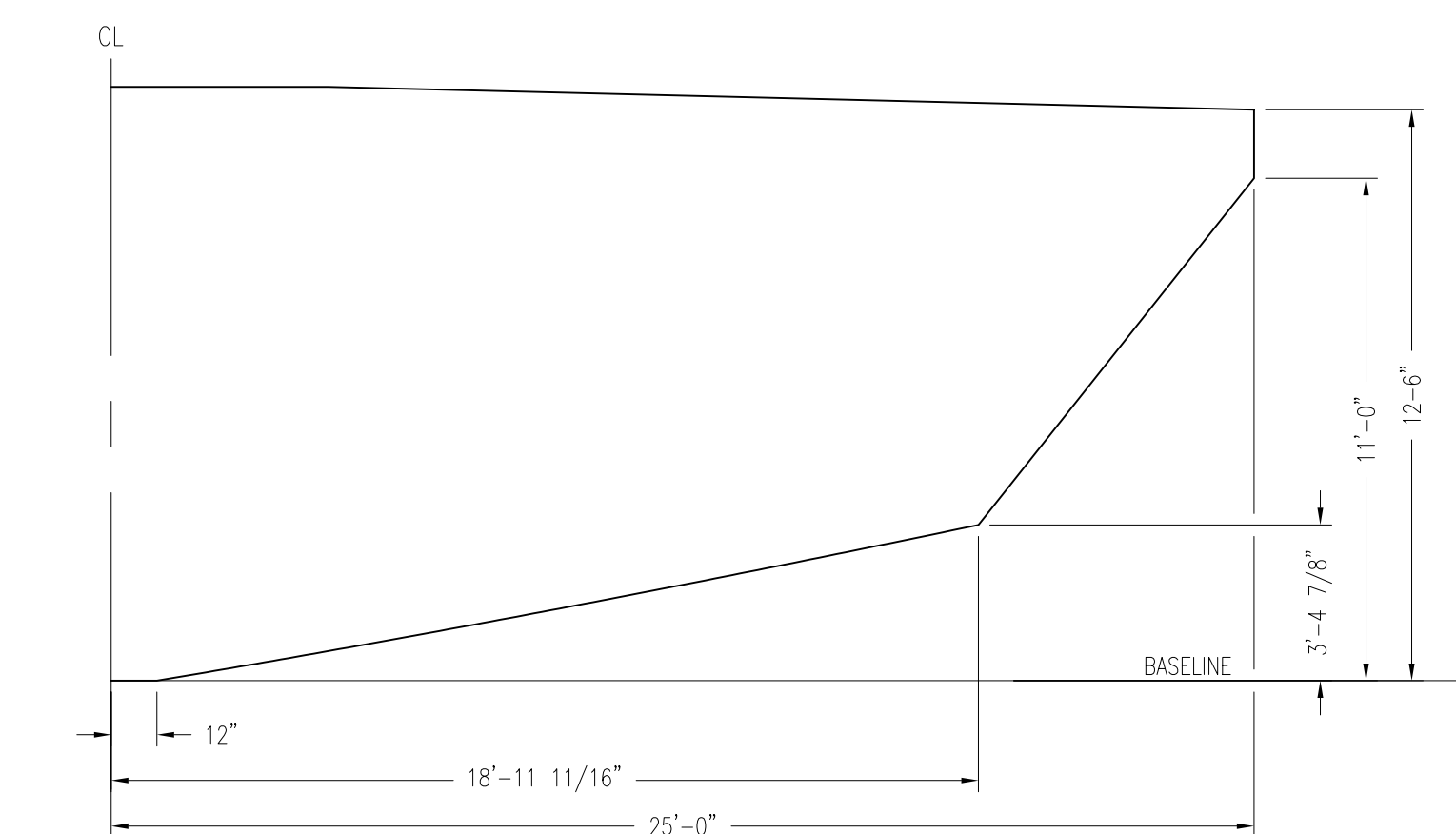
SECT 9-D
ANODE ATTACHMENT STRAP
SCALE 3"=1'-0"



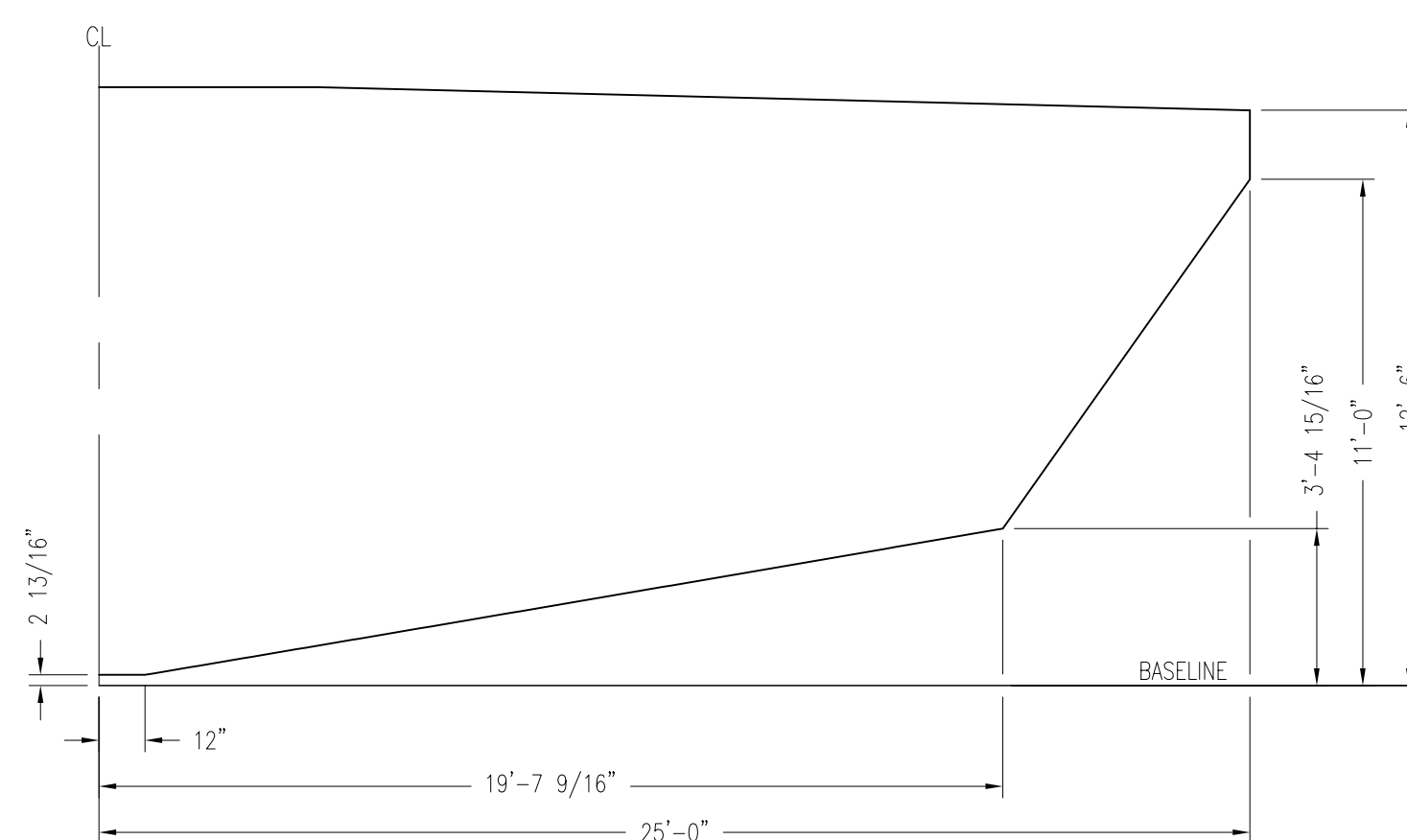
DET 9-C
TYPICAL ZINC ANODE INSTALLATION DETAIL
SCALE 3"=1'-0"

C

C



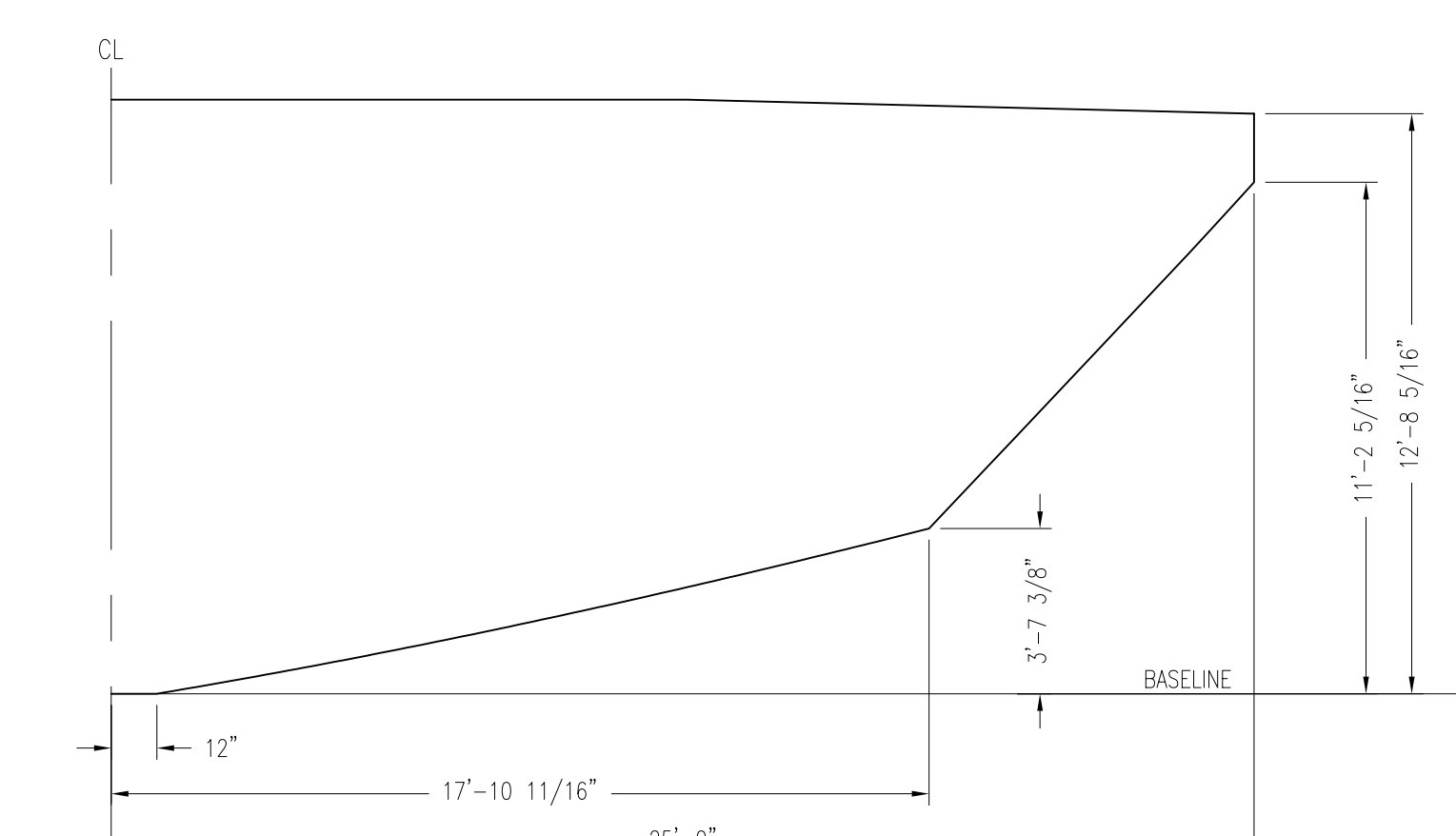
FR 38



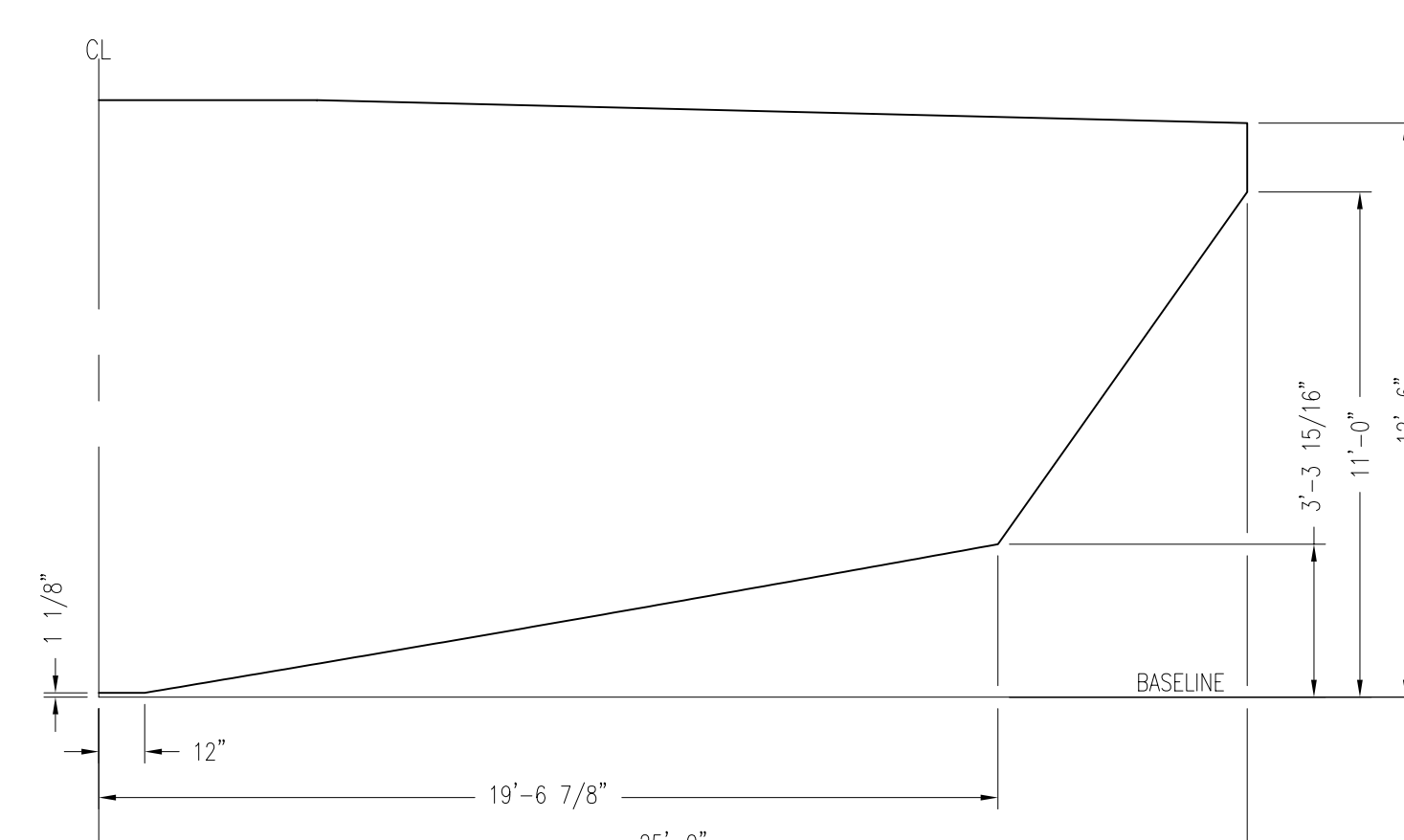
FR 60

B

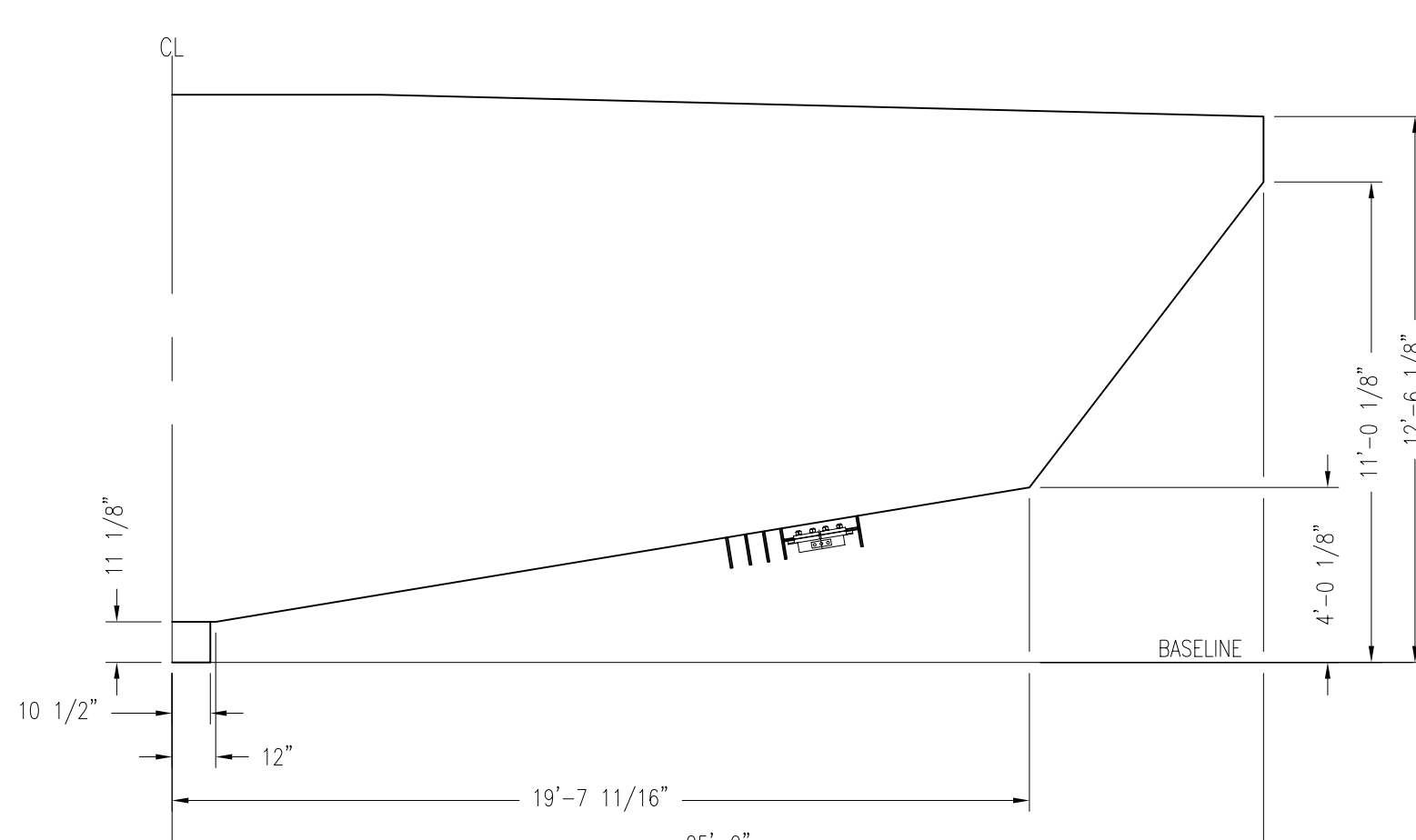
B



FR 30



FR 52



FR 76

A

A

NOTE: DIMENSIONS SHOWN ARE MOLDED

ORANGE
Shipbuilding Co., Inc.
A CONRAD INDUSTRIES CO.
710 MARKET STREET-ORANGE, TEXAS 77630
PHONE 409-883-6666 FAX 409-882-0609

GUARINO & COX, LLC
19399 HELENBURG RD, SUITE 203
COVINGTON LA. 70433

ORANGE SHIPBUILDING CO. INC.
NORTH CAROLINA DOT FERRY DIVISION
NEW SOUND CLASS FERRY

DOCKING & ANODE PLAN

DRAWN BY: BMB	DATE: 12/9/10	DWG NO. 997-01
CK'D BY: KHK	HULL No. 413	SHT 2 OF 2
SCALE: 1/4"=1'-0"	G&C Job No. 09-060	REV. 0

16

15

14

13

12

11

10

9